

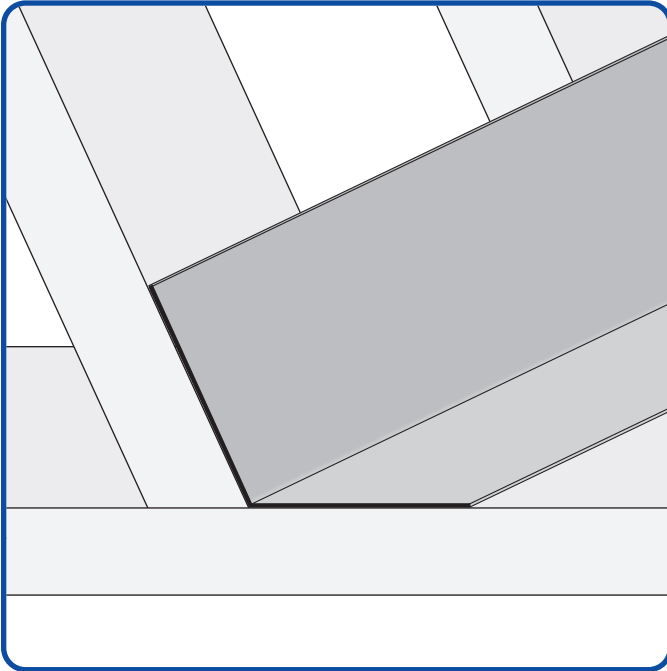


**PHONE:** (909) 993-5700  
**EMAIL:** sales@deluxebuildingproducts.com  
**LOCATION:** 1350 E. Lexington Ave., Pomona, CA 91766



[www.DeluxeBuildingProducts.com](http://www.DeluxeBuildingProducts.com)

## Deluxe Angles



- ✓ Available in Galvanized Steel
- ✓ Custom Sizes Available!

Deluxe Angles can be fabricated in almost any angle, bend, shape or specialty framing clip, connector or support requested. These custom products are manufactured using precision brake-forming equipment. We offer a wide selection of specialized sizes and shapes are available.

### AVAILABLE DIMENSIONS

**X Sizes:** User Defined

**Y Sizes:** User Defined

**Z Sizes:** User Defined

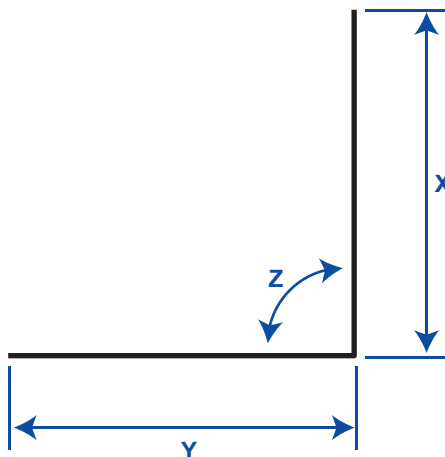
**Length:** 120"

### Available Materials:

Galvanized Steel

### ASTM Codes:

All Accessories are fabricated from prime galvanized steel G60 (G90 upon request) zinc coating by the hot dipped method, conforming to steel and coating specification ASTM A-653/A-653M or zinc alloy meeting ASTM B-69. ASTM A 1003 OR A653 GRADE 33 OR 50 WITH G40, G60 OR G90



### GET A QUOTE

Company: \_\_\_\_\_  
 Name: \_\_\_\_\_  
 Address: \_\_\_\_\_  
 City: \_\_\_\_\_  
 State: \_\_\_\_\_  
 ZIP: \_\_\_\_\_  
 Phone: \_\_\_\_\_  
 Email: \_\_\_\_\_

Quantity: \_\_\_\_\_  
 Material: \_\_\_\_\_  
 X Size: \_\_\_\_\_  
 Y Size: \_\_\_\_\_  
 Z Size: \_\_\_\_\_  
 Length: \_\_\_\_\_

Notes: \_\_\_\_\_  
 \_\_\_\_\_  
 \_\_\_\_\_





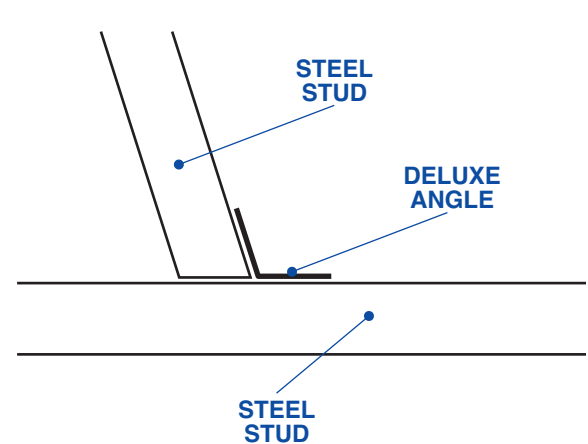
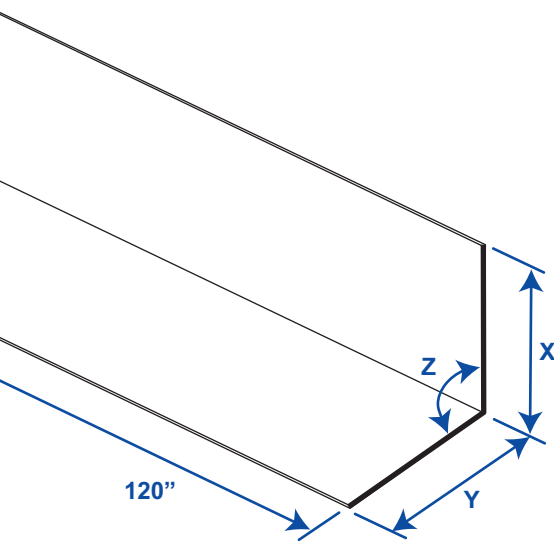
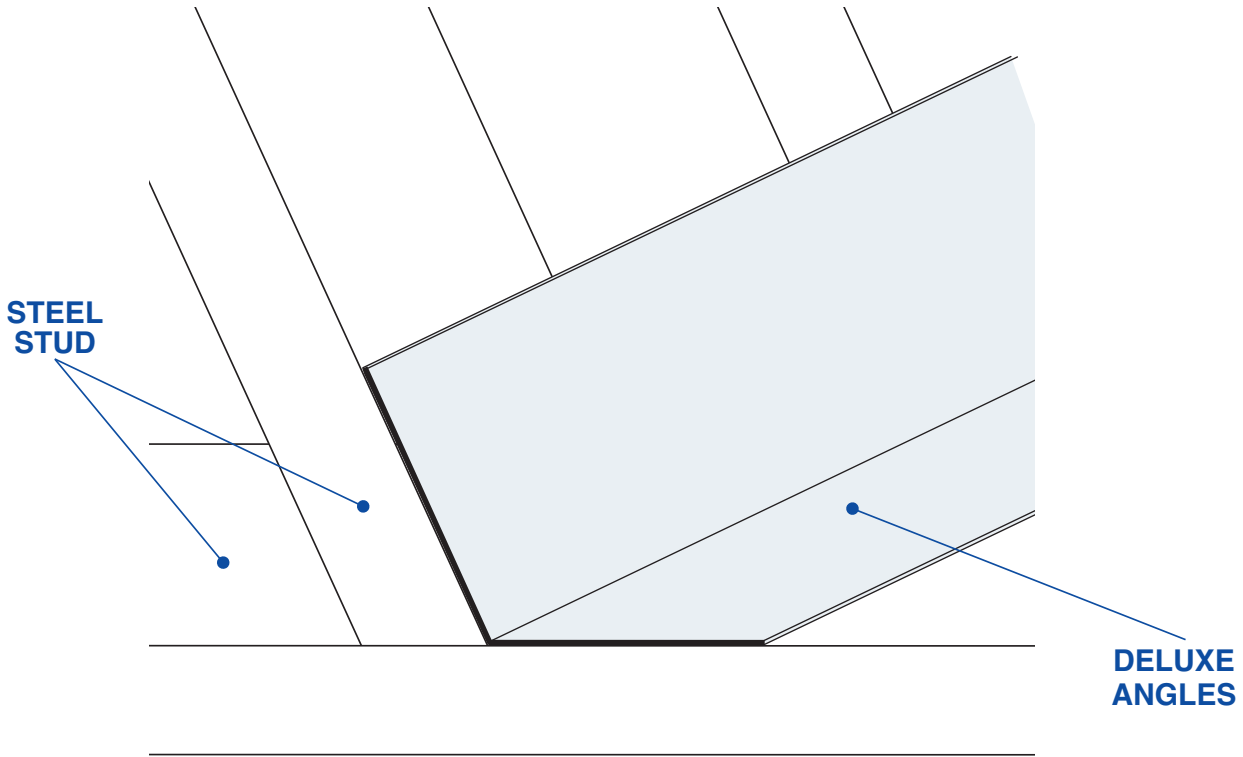
PHONE: (909) 993-5700  
EMAIL: sales@deluxebuildingproducts.com  
LOCATION: 1350 E. Lexington Ave., Pomona, CA 91766



[www.DeluxeBuildingProducts.com](http://www.DeluxeBuildingProducts.com)

## Deluxe Angles

Deluxe Angles can be fabricated in almost any angle, bend, shape or specialty framing clip, connector or support requested. These custom products are manufactured using precision brake-forming equipment. We offer a wide selection of specialized sizes and shapes are available.



**NOTE:** This drawing is supplied solely to assist in the selection and application of product manufactured by Deluxe Building Products. This drawing is generic in nature and should not be used in design or construction without an independent evaluation by a qualified Architect or Engineer of Record.

©2026 Deluxe Building Products. All rights reserved worldwide. Product illustrations are for reference only.  
CA RESIDENTS: Please review Prop 65 by visiting [www.P65Warnings.ca.gov](http://www.P65Warnings.ca.gov)

REV 04.01.26.DANG