

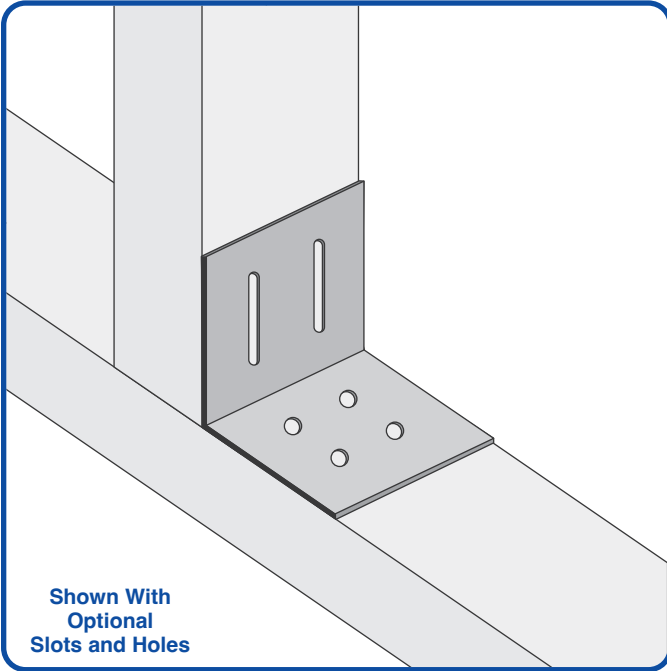


PHONE: (909) 993-5700
EMAIL: sales@deluxebuildingproducts.com
LOCATION: 1350 E. Lexington Ave., Pomona, CA 91766



www.DeluxeBuildingProducts.com

Deluxe Clips



- ✓ **Prepunched Holes And Slotting Available**
- ✓ **Available Galvanized Steel**
- ✓ **Custom Sizes Available!**

Deluxe Clips can be fabricated in almost any angle, bend, shape or specialty framing clip, connector or support requested. These custom products are manufactured using precision brake-forming equipment. We offer a wide selection of specialized sizes and shapes are available. Prepunched holes and specialized slotting are also available.

AVAILABLE DIMENSIONS

X Sizes: User Defined

Y Sizes: User Defined

Z Sizes: User Defined

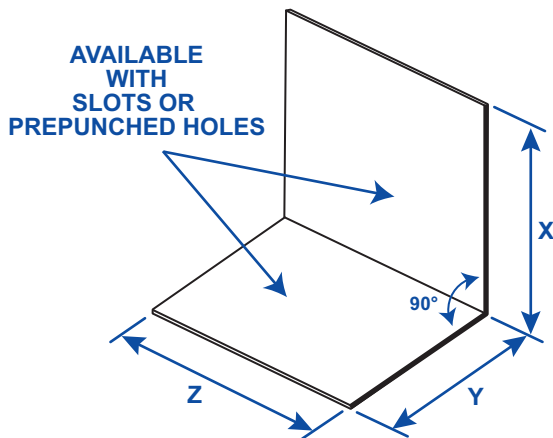
Length: 120"

Available Materials:

Galvanized Steel

ASTM Codes:

All Accessories are fabricated from prime galvanized steel G60 (G90 upon request) zinc coating by the hot dipped method, conforming to steel and coating specification ASTM A-653/A-653M or zinc alloy meeting ASTM B-69. ASTM A 1003 OR A653 GRADE 33 OR 50 WITH G40, G60 OR G90



GET A QUOTE

Company: _____
Name: _____
Address: _____
City: _____
State: _____
ZIP: _____
Phone: _____
Email: _____

Quantity: _____
Material: _____
X Size: _____
Y Size: _____
Z Size: _____

Notes: _____





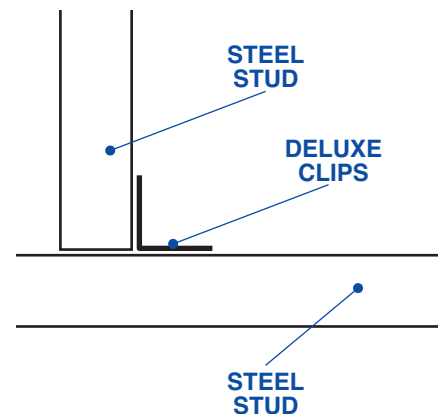
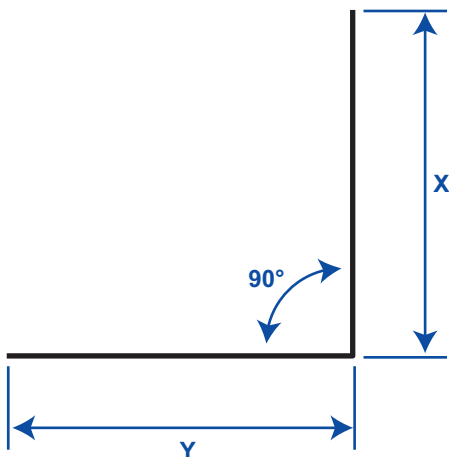
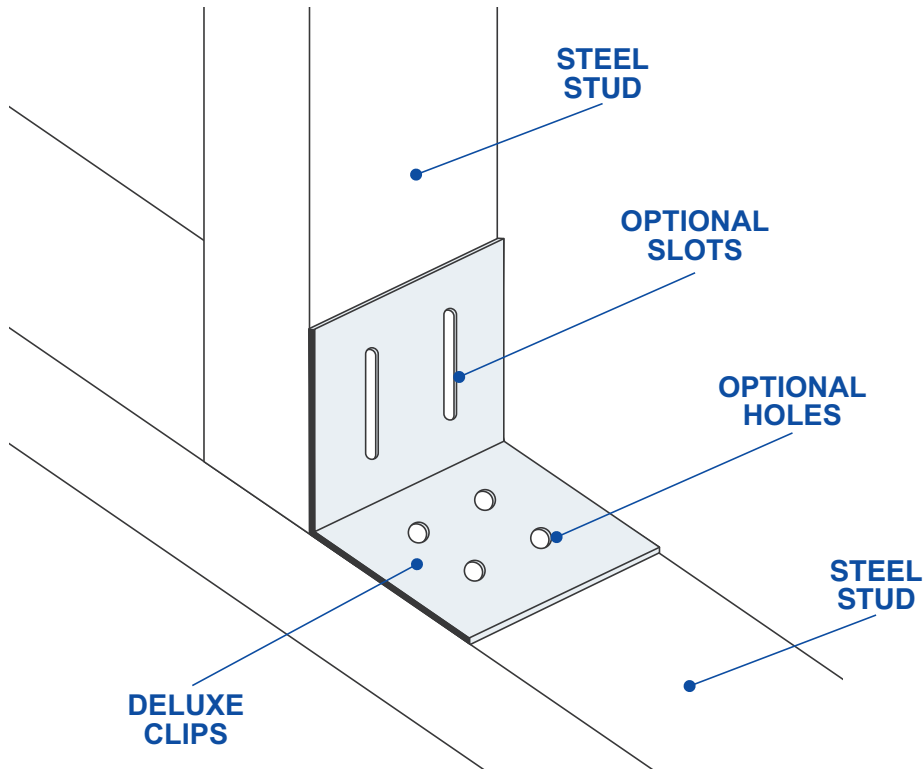
PHONE: (909) 993-5700
EMAIL: sales@deluxebuildingproducts.com
LOCATION: 1350 E. Lexington Ave., Pomona, CA 91766



www.DeluxeBuildingProducts.com

Deluxe Clips

Deluxe Clips can be fabricated in almost any angle, bend, shape or specialty framing clip, connector or support requested. These custom products are manufactured using precision brake-forming equipment. We offer a wide selection of specialized sizes and shapes are available. Prepunched holes and specialized slotting are also available



NOTE: This drawing is supplied solely to assist in the selection and application of product manufactured by Deluxe Building Products. This drawing is generic in nature and should not be used in design or construction without an independent evaluation by a qualified Architect or Engineer of Record.

©2026 Deluxe Building Products. All rights reserved worldwide. Product illustrations are for reference only.
CA RESIDENTS: Please review Prop 65 by visiting www.P65Warnings.ca.gov

REV 04.01.26.DCLP