

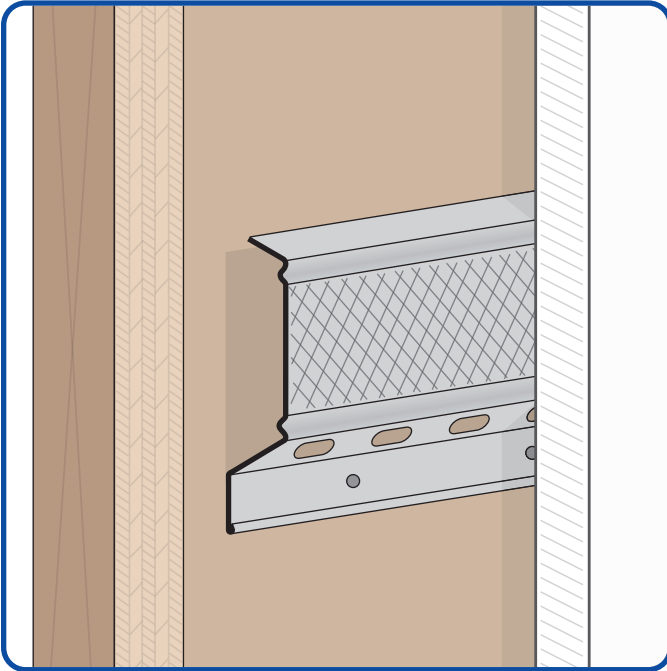


**PHONE:** (909) 993-5700  
**EMAIL:** sales@deluxebuildingproducts.com  
**LOCATION:** 1350 E. Lexington Ave., Pomona, CA 91766



[www.DeluxeBuildingProducts.com](http://www.DeluxeBuildingProducts.com)

## Deluxe RC-1 (Resilient Channel)



- ✓ Available in Galvanized Steel 25ga (18Mil)
- ✓ Custom Sizes Available!

The Deluxe RC-1 (Resilient Channel) is made with a 1-1/4" top flange, and a 1/2" nailing flange, giving the channel 1/2" furring height from the face of the wall stud.

### AVAILABLE DIMENSIONS

**Top:** 1-1/4"

**Flange:** 1/2"

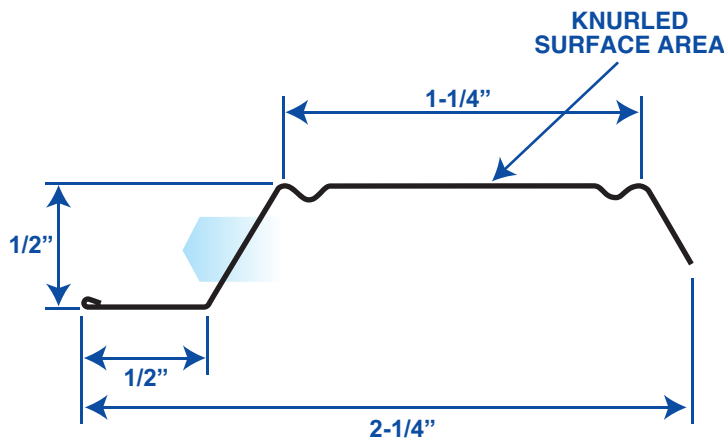
**Height:** 1/2"

#### Available Materials:

Galvanized Steel 25ga (18Mil)

#### ASTM Codes:

All Accessories are fabricated from prime galvanized steel G60 (G90 upon request) zinc coating by the hot dipped method, conforming to steel and coating specification ASTM A-653/A-653M or zinc alloy meeting ASTM B-69. ASTM A 1003 OR A653 GRADE 33 OR 50 WITH G40, G60 OR G90



### GET A QUOTE

Company: \_\_\_\_\_  
 Name: \_\_\_\_\_  
 Address: \_\_\_\_\_  
 City: \_\_\_\_\_  
 State: \_\_\_\_\_  
 ZIP: \_\_\_\_\_  
 Phone: \_\_\_\_\_  
 Email: \_\_\_\_\_

Quantity: \_\_\_\_\_  
 Material: \_\_\_\_\_  
 Length: \_\_\_\_\_

Notes: \_\_\_\_\_  
 \_\_\_\_\_  
 \_\_\_\_\_  
 \_\_\_\_\_





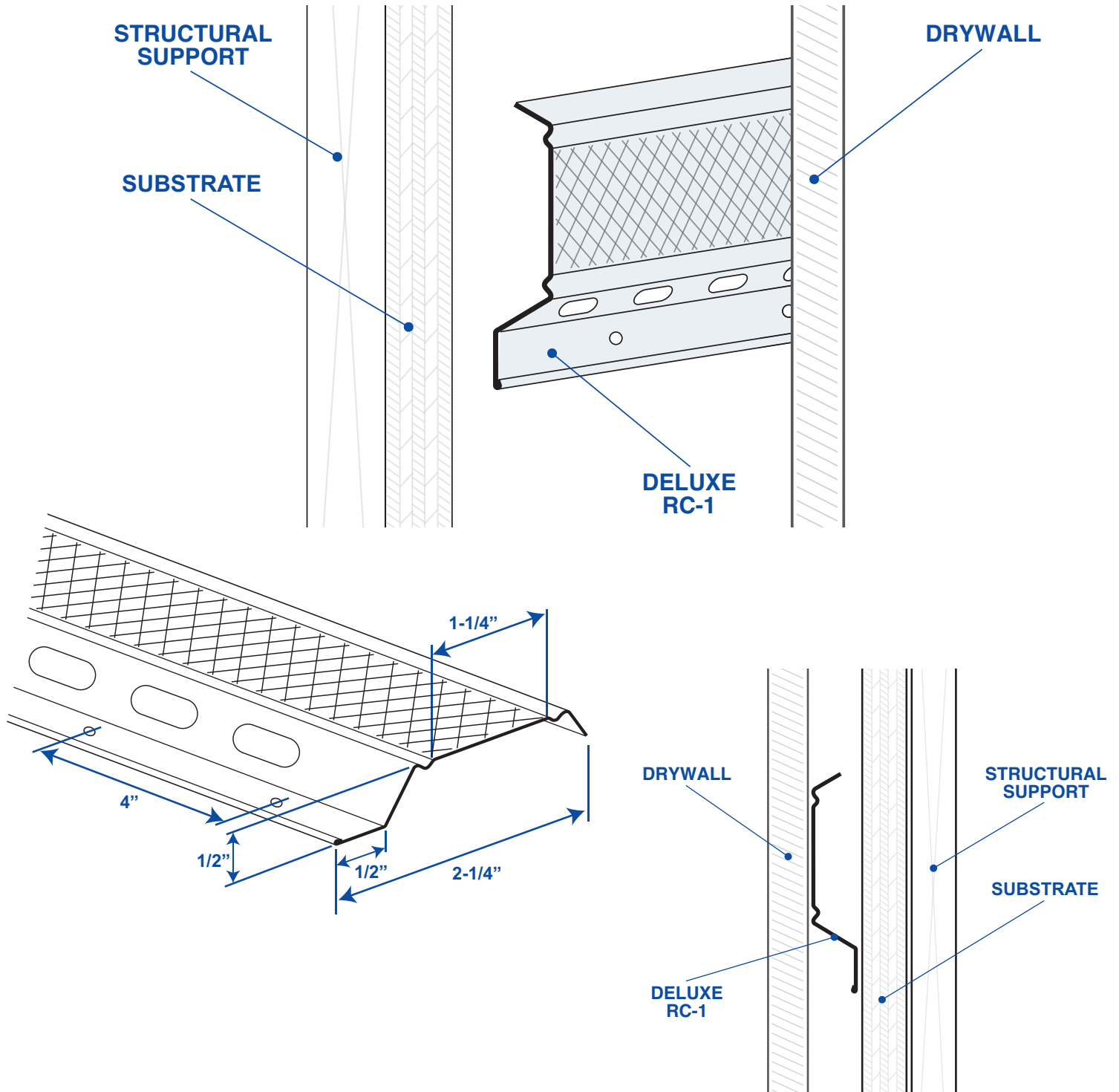
PHONE: (909) 993-5700  
EMAIL: sales@deluxebuildingproducts.com  
LOCATION: 1350 E. Lexington Ave., Pomona, CA 91766



[www.DeluxeBuildingProducts.com](http://www.DeluxeBuildingProducts.com)

## Deluxe RC-1 (Resilient Channel)

The Deluxe RC-1 (Resilient Channel) is made with a 1-1/4" top flange, and a 1/2" nailing flange, giving the channel 1/2" furring height from the face of the wall stud.



**NOTE:** This drawing is supplied solely to assist in the selection and application of product manufactured by Deluxe Building Products. This drawing is generic in nature and should not be used in design or construction without an independent evaluation by a qualified Architect or Engineer of Record.

©2026 Deluxe Building Products. All rights reserved worldwide. Product illustrations are for reference only.  
CA RESIDENTS: Please review Prop 65 by visiting [www.P65Warnings.ca.gov](http://www.P65Warnings.ca.gov)

REV 04.01.26.DCRO