

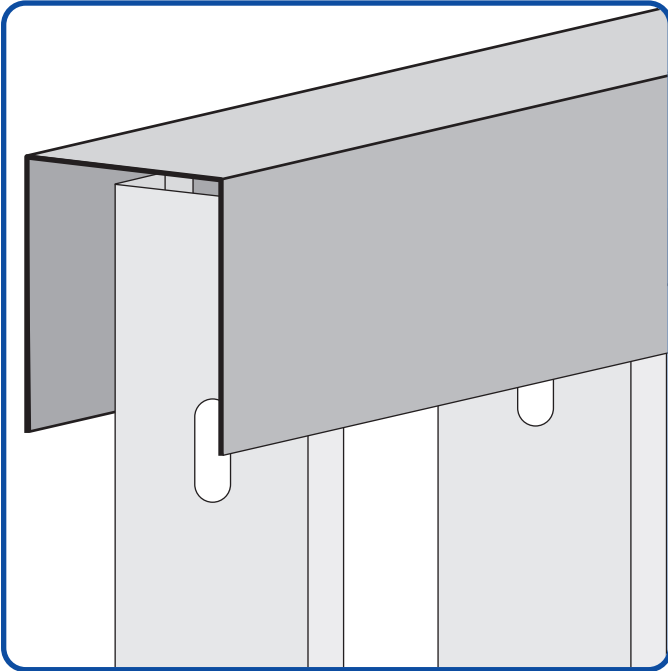


PHONE: (909) 993-5700
EMAIL: sales@deluxebuildingproducts.com
LOCATION: 1350 E. Lexington Ave., Pomona, CA 91766



www.DeluxeBuildingProducts.com

Deluxe Deep Leg Track



- ✓ Available in Galvanized Steel
- ✓ Custom Sizes Available!

The Deluxe Deep Leg Track is a deflection track used to align the studs vertically and the deflection of the building structure at the head of wall. Allows the top of the wall stud to float within the track legs. The wall studs are not fastened to the track.

AVAILABLE DIMENSIONS

X Sizes: User Defined

Y Sizes: User Defined

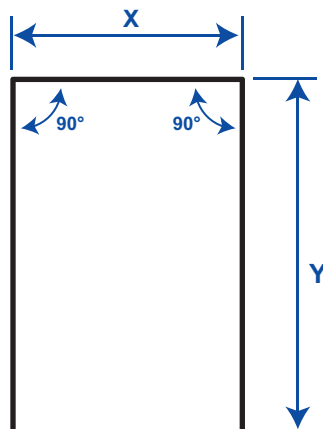
Length: 120"

Available Materials:

Galvanized Steel

ASTM Codes:

All Accessories are fabricated from prime galvanized steel G60 (G90 upon request) zinc coating by the hot dipped method, conforming to steel and coating specification ASTM A-653/A-653M or zinc alloy meeting ASTM B-69. ASTM A 1003 OR A653 GRADE 33 OR 50 WITH G40, G60 OR G90



GET A QUOTE

Company: _____
 Name: _____
 Address: _____
 City: _____
 State: _____
 ZIP: _____
 Phone: _____
 Email: _____

Quantity: _____
 Material: _____
 X Size: _____
 Y Size: _____
 Length: _____

Notes: _____





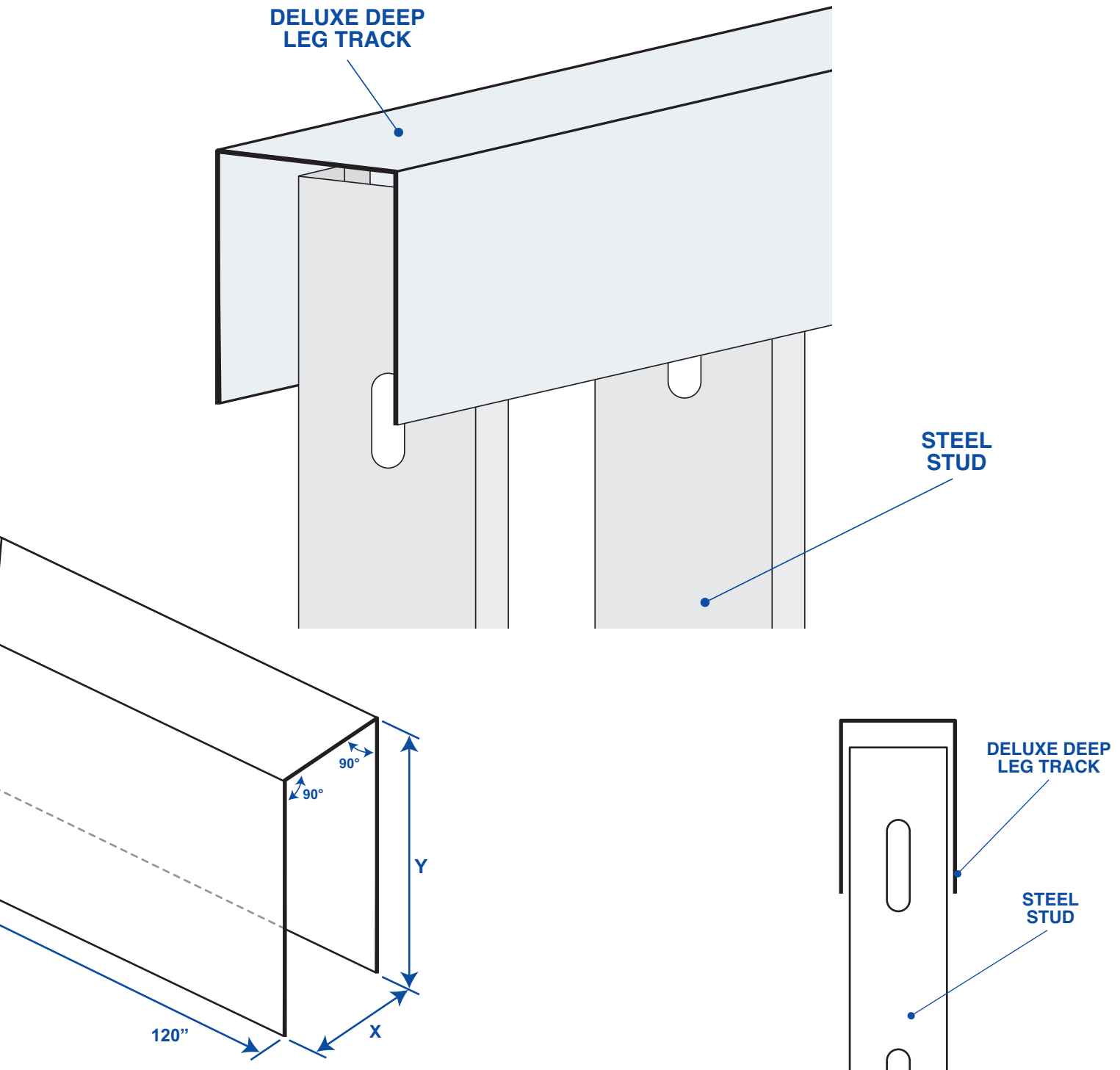
PHONE: (909) 993-5700
EMAIL: sales@deluxebuildingproducts.com
LOCATION: 1350 E. Lexington Ave., Pomona, CA 91766



www.DeluxeBuildingProducts.com

Deluxe Deep Leg Track

The Deluxe Deep Leg Track is a deflection track used to align the studs vertically and the deflection of the building structure at the head of wall. Allows the top of the wall stud to float within the track legs. The wall studs are not fastened to the track.



NOTE: This drawing is supplied solely to assist in the selection and application of product manufactured by Deluxe Building Products. This drawing is generic in nature and should not be used in design or construction without an independent evaluation by a qualified Architect or Engineer of Record.

©2026 Deluxe Building Products. All rights reserved worldwide. Product illustrations are for reference only.
CA RESIDENTS: Please review Prop 65 by visiting www.P65Warnings.ca.gov

REV 04.01.26.DDLT