

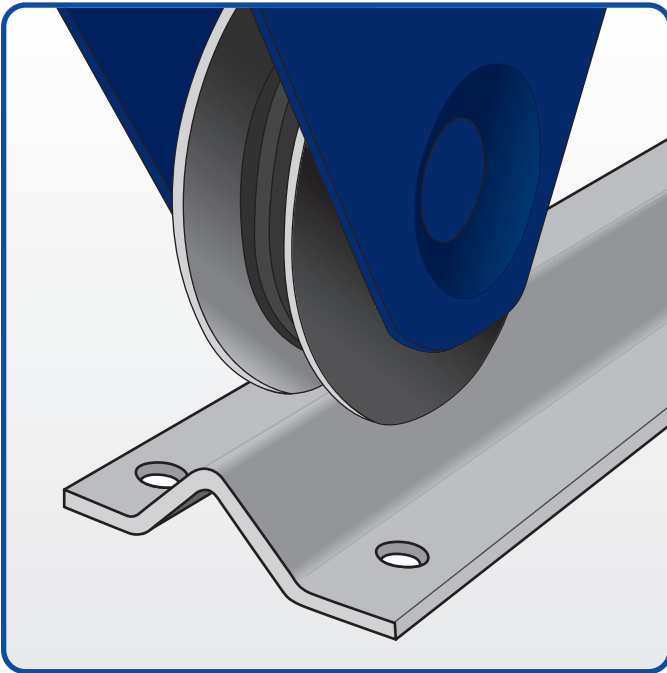


PHONE: (909) 993-5700
 EMAIL: sales@deluxebuildingproducts.com
 LOCATION: 1350 E. Lexington Ave., Pomona, CA 91766



www.DeluxeBuildingProducts.com

Deluxe Gate Track



- ✓ Available 10' or 20' Lengths
- ✓ Available in Galvanized Steel 12ga.

The Deluxe Track Gate ideal for use with V-Groove wheel on rolling gates. This galvanized steel gate track is designed for reliable sliding gate performance. Made from heavy-duty 12 gauge galvanized steel to resists corrosion for long-lasting outdoor use. The 40° track ensures smooth operation with standard V-groove gate wheels and to allows easy vehicle crossing. Pre-drilled holes for quick installation.

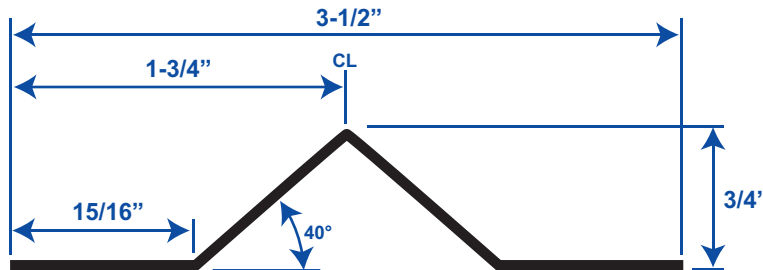
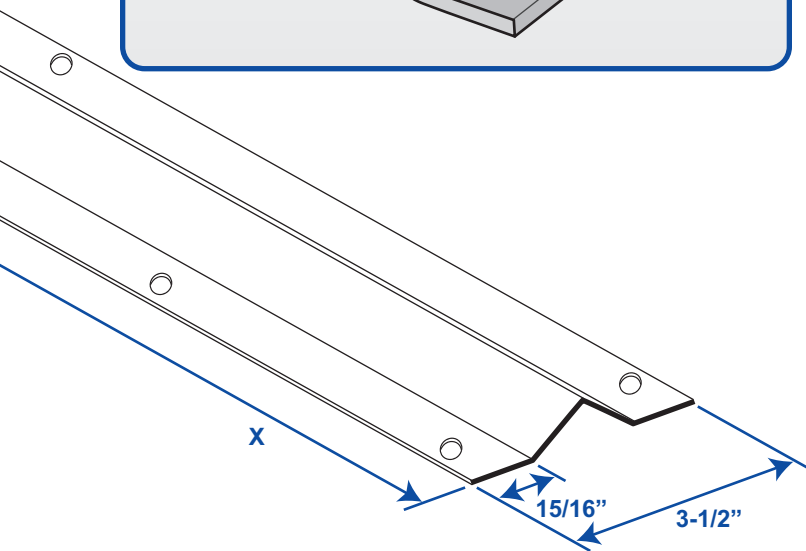
AVAILABLE DIMENSIONS

X Sizes (Length): 120" (10') or 240" (20')

Available Materials:
 Galvanized Steel (12ga.)

ASTM Codes:

All Accessories are fabricated from prime galvanized steel G60 (G90 upon request) zinc coating by the hot dipped method, conforming to steel and coating specification ASTM A-653/A-653M or zinc alloy meeting ASTM B-69.



GET A QUOTE

Company: _____
 Name: _____
 Address: _____
 City: _____
 State: _____
 ZIP: _____
 Phone: _____
 Email: _____

Quantity: _____
 Material: _____
 X Size (Length): _____

Notes: _____



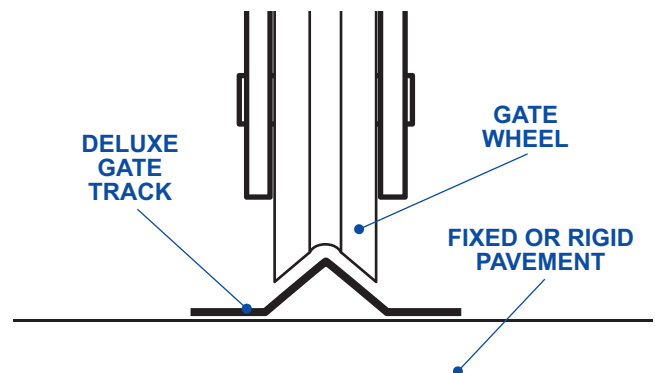
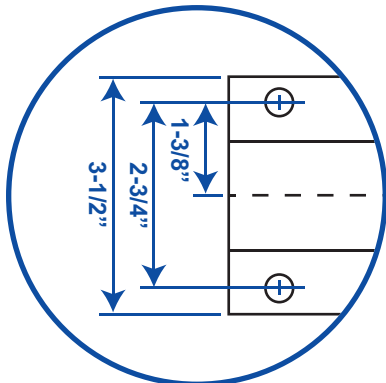
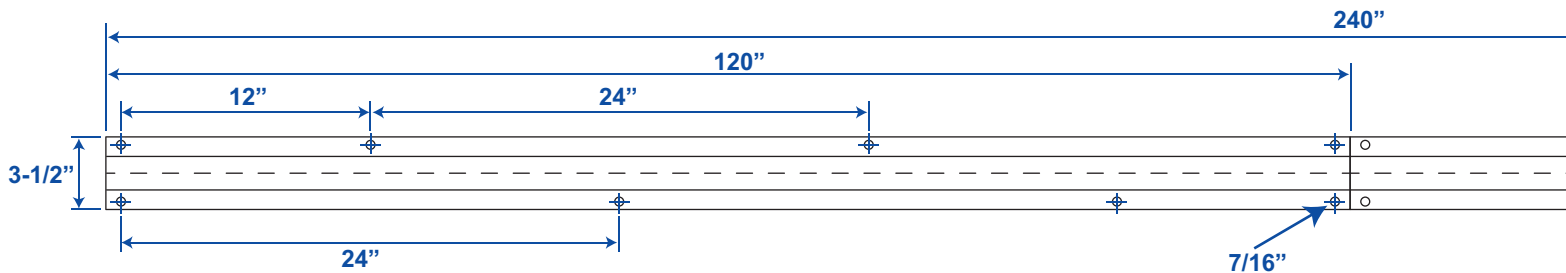
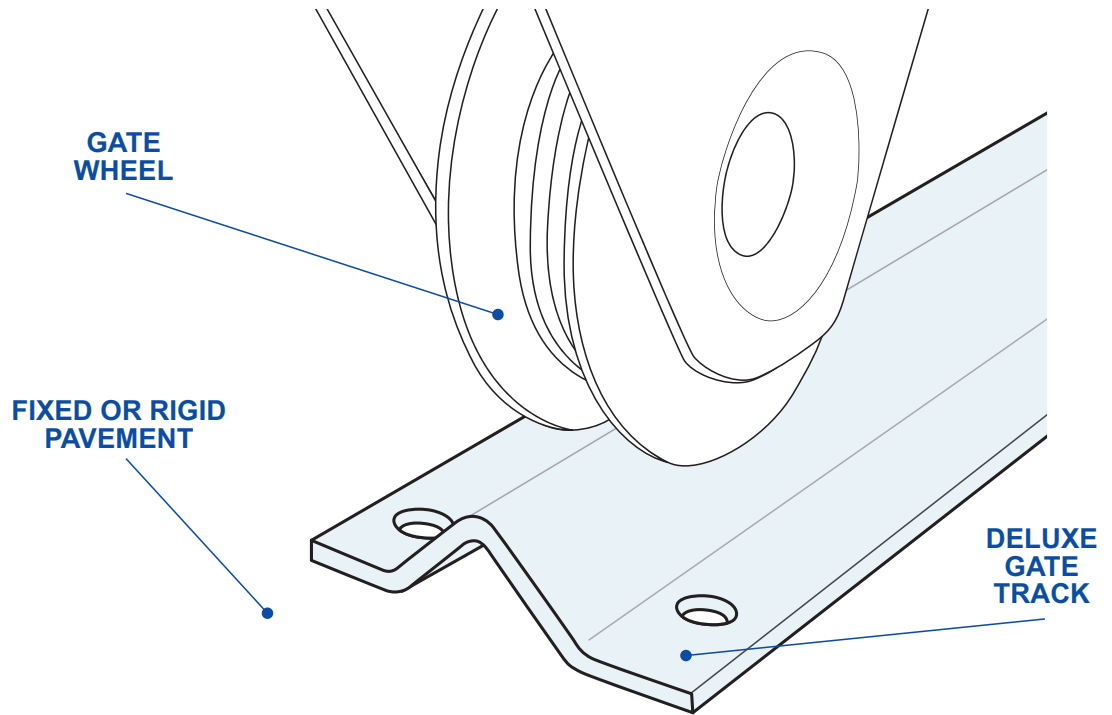
PHONE: (909) 993-5700
EMAIL: sales@deluxebuildingproducts.com
LOCATION: 1350 E. Lexington Ave., Pomona, CA 91766



www.DeluxeBuildingProducts.com

Deluxe Gate Track

The Deluxe Track Gate ideal for use with V-Groove wheel on rolling gates. This galvanized steel gate track is designed for reliable sliding gate performance. Made from heavy-duty 12 gauge galvanized steel to resist corrosion for long-lasting outdoor use. The 40° track ensures smooth operation with standard V-groove gate wheels and to allow easy vehicle crossing. Pre-drilled holes for quick installation.



NOTE: This drawing is supplied solely to assist in the selection and application of product manufactured by Deluxe Building Products. This drawing is generic in nature and should not be used in design or construction without an independent evaluation by a qualified Architect or Engineer of Record.

©2026 Deluxe Building Products. All rights reserved worldwide. Product illustrations are for reference only.
CA RESIDENTS: Please review Prop 65 by visiting www.P65Warnings.ca.gov

REV 07.02.26.DGTT