

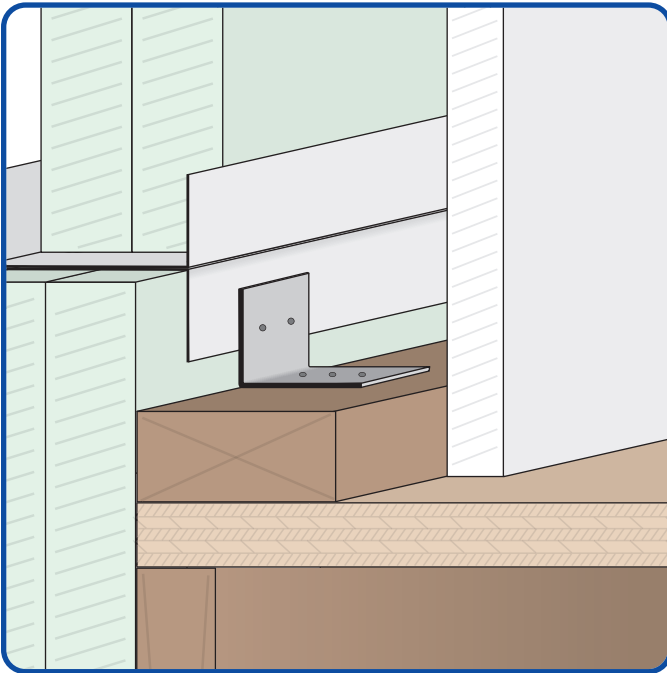


**PHONE:** (909) 993-5700  
**EMAIL:** sales@deluxebuildingproducts.com  
**LOCATION:** 1350 E. Lexington Ave., Pomona, CA 91766



[www.DeluxeBuildingProducts.com](http://www.DeluxeBuildingProducts.com)

## Deluxe Aluminum Burn Clip



- ✓ Available in .050" Aluminum
- ✓ Available in 2" x 2" x 2-1/2"
- ✓ Custom Sizes Available!

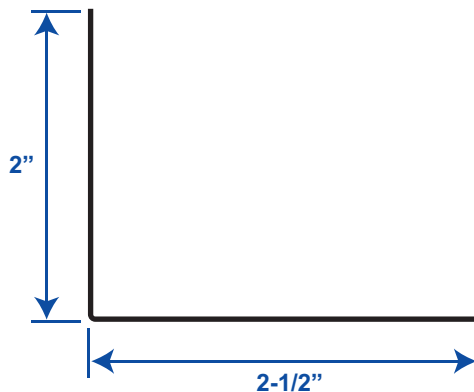
Deluxe Building Aluminum Burn Clip now offering Burn clips that allow a fire damaged structure to collapse while permitting the fire wall to remain in place, protecting adjacent units.

Must be used in conjunction with Area Separation Wall Systems. Attach the Breakaway Clip to the completed Area Separation Wall Assembly. One Clip should be located at each side of each H Stud. Fasten BA Clip to H Stud with a screw through the pre-punched holes. Attach to wood or steel adjacent framing with nails or screws respectively.

**Available Materials:**  
 Aluminum 3003-H14

### AVAILABLE PART NUMBERS

<b>DBP-ABC</b>	Alum Burn Clip 2-1/2" (500 pieces per box)
----------------	---



### GET A QUOTE

Company: \_\_\_\_\_  
 Name: \_\_\_\_\_  
 Address: \_\_\_\_\_  
 City: \_\_\_\_\_  
 State: \_\_\_\_\_  
 ZIP: \_\_\_\_\_  
 Phone: \_\_\_\_\_  
 Email: \_\_\_\_\_

Quantity: \_\_\_\_\_  
 Material: \_\_\_\_\_  
 Length: \_\_\_\_\_

Notes: \_\_\_\_\_  
 \_\_\_\_\_  
 \_\_\_\_\_  
 \_\_\_\_\_





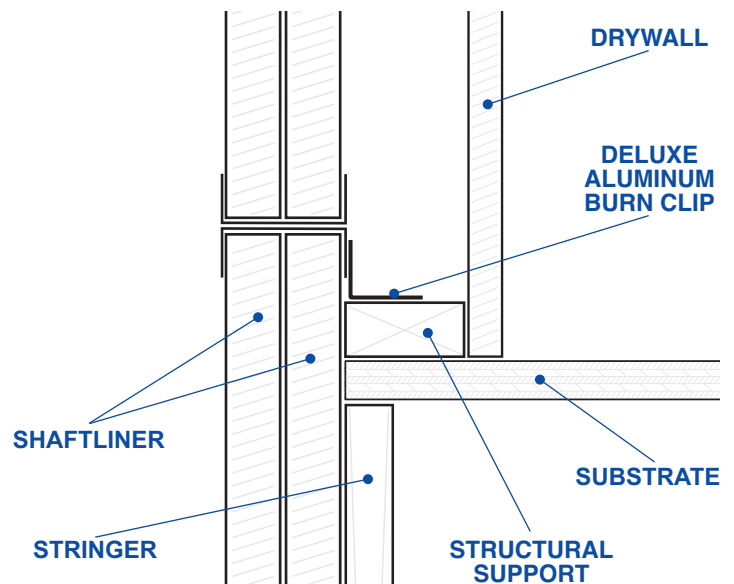
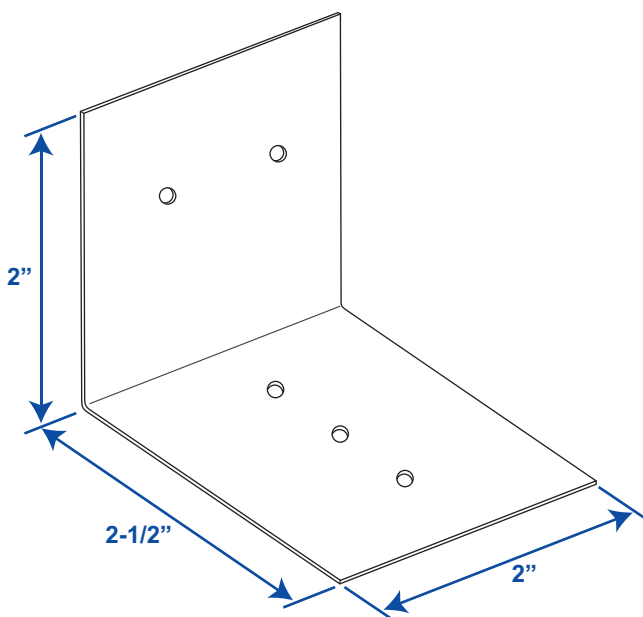
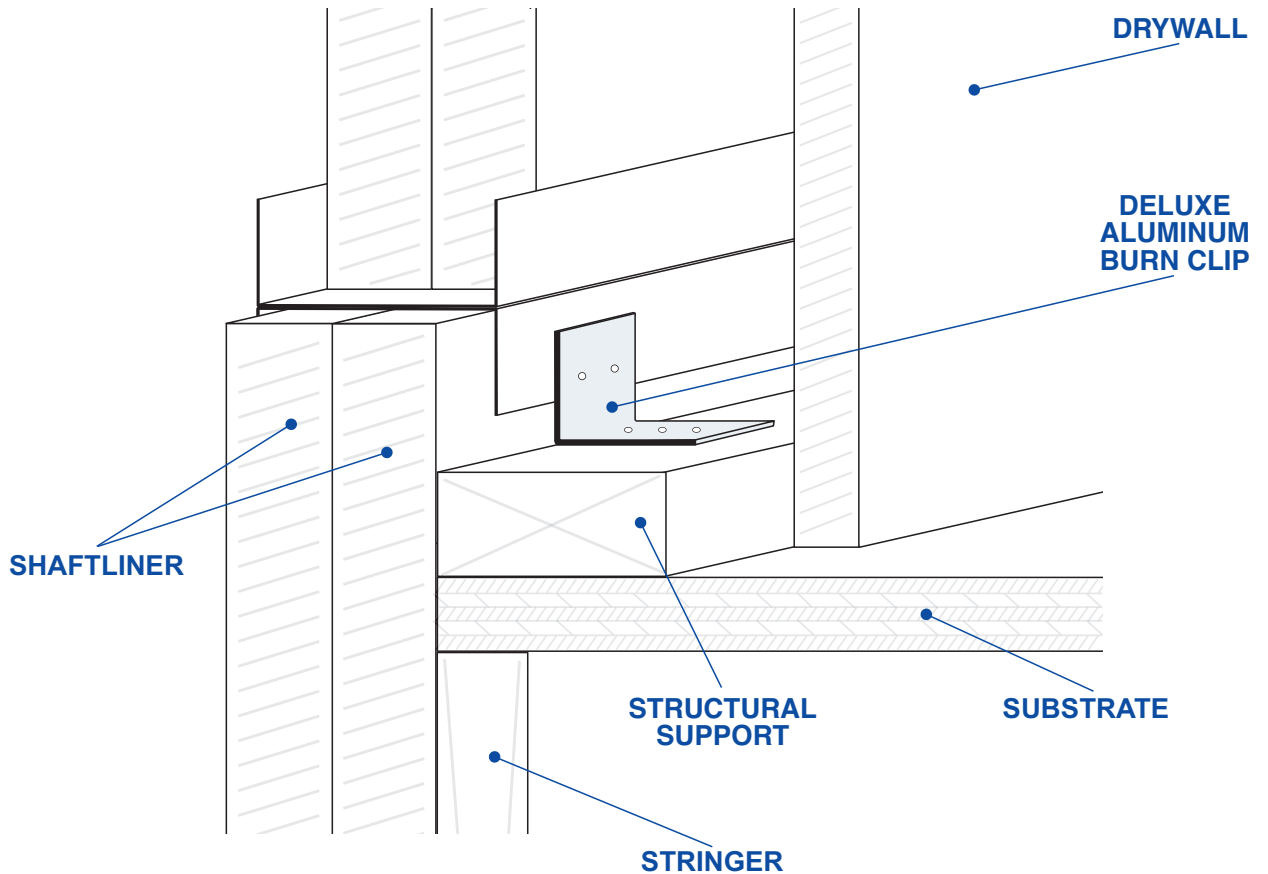
PHONE: (909) 993-5700  
EMAIL: sales@deluxebuildingproducts.com  
LOCATION: 1350 E. Lexington Ave., Pomona, CA 91766



[www.DeluxeBuildingProducts.com](http://www.DeluxeBuildingProducts.com)

## Deluxe Aluminum Burn Clip

Deluxe Building Aluminum Burn Clip now offering Burn clips that allow a fire damaged structure to collapse while permitting the fire wall to remain in place, protecting adjacent units.



**NOTE:** This drawing is supplied solely to assist in the selection and application of product manufactured by Deluxe Building Products. This drawing is generic in nature and should not be used in design or construction without an independent evaluation by a qualified Architect or Engineer of Record.

©2026 Deluxe Building Products. All rights reserved worldwide. Product illustrations are for reference only.  
CA RESIDENTS: Please review Prop 65 by visiting [www.P65Warnings.ca.gov](http://www.P65Warnings.ca.gov)

REV 02.20.26.DLBC