

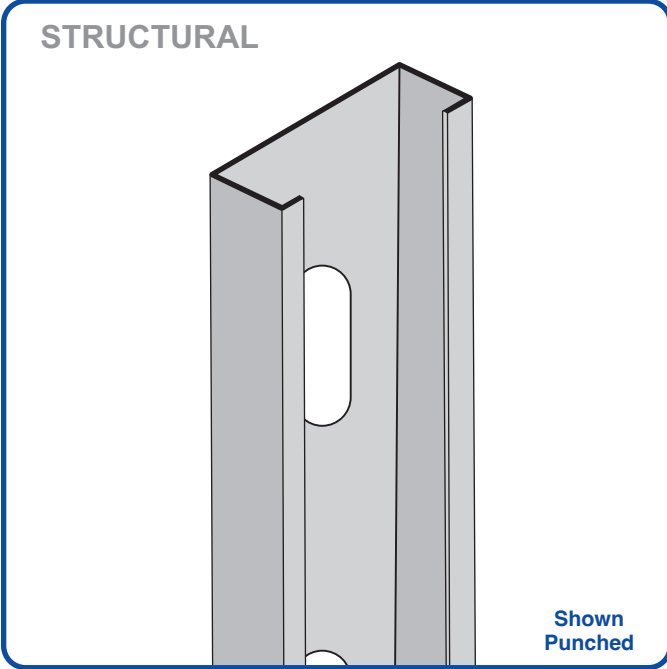


PHONE: (909) 993-5700  
 EMAIL: sales@deluxebuildingproducts.com  
 LOCATION: 1350 E. Lexington Ave., Pomona, CA 91766



[www.DeluxeBuildingProducts.com](http://www.DeluxeBuildingProducts.com)

## Deluxe Structural Studs - 1-3/8" Leg



- ✓ Available With Punch Holes or Without
- ✓ Available in Galvanized Steel
- ✓ Available With Web in 250, 362, 400, 600 and 800
- ✓ Custom Sizes Available!

The Deluxe Structural Studs with 1-3/8" leg are lightweight, non-combustible and durable metal framing members, primarily used for interior walls and commercial construction. They offer superior stability compared to wood, offering no warping or rotting.

### AVAILABLE DIMENSIONS

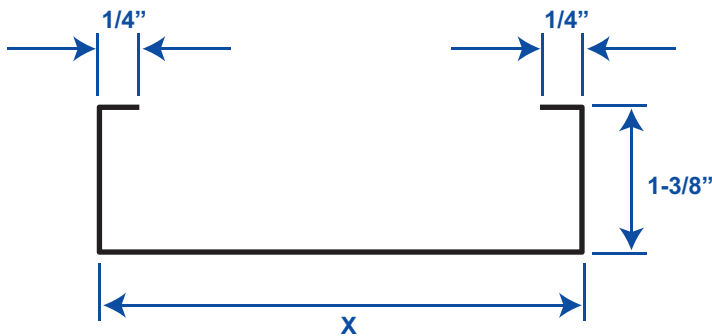
**X Sizes:** 2-1/2", 3-5/8", 4", 6" or 8"

#### Available Materials:

Galvanized Steel 20ga (30Mil), 18ga (43Mil), 16ga (54Mil) or 14ga (68Mil)

#### ASTM Codes:

All Accessories are fabricated from prime galvanized steel G60 (G90 upon request) zinc coating by the hot dipped method, conforming to steel and coating specification ASTM A-653/A-653M or zinc alloy meeting ASTM B-69. ASTM A 1003 OR A653 GRADE 33 OR 50 WITH G40, G60 OR G90



### GET A QUOTE

Company: \_\_\_\_\_  
 Name: \_\_\_\_\_  
 Address: \_\_\_\_\_  
 City: \_\_\_\_\_  
 State: \_\_\_\_\_  
 ZIP: \_\_\_\_\_  
 Phone: \_\_\_\_\_  
 Email: \_\_\_\_\_

Quantity: \_\_\_\_\_  
 Material: \_\_\_\_\_  
 X Size: \_\_\_\_\_

Holes:  No Punch Holes  
 With Punch Holes

Length: \_\_\_\_\_

Notes: \_\_\_\_\_  
 \_\_\_\_\_  
 \_\_\_\_\_





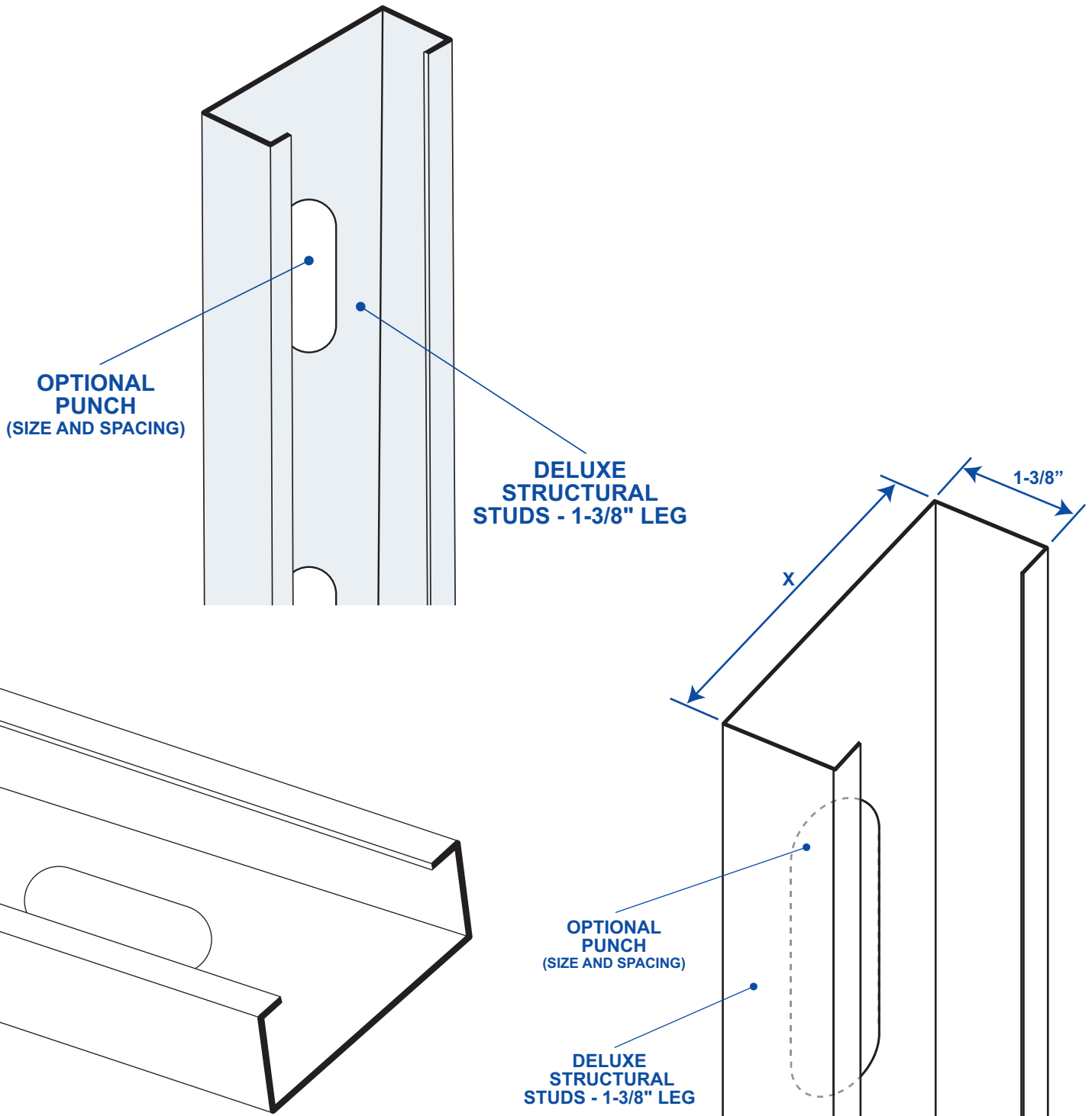
PHONE: (909) 993-5700  
EMAIL: sales@deluxebuildingproducts.com  
LOCATION: 1350 E. Lexington Ave., Pomona, CA 91766



[www.DeluxeBuildingProducts.com](http://www.DeluxeBuildingProducts.com)

## Deluxe Structural Studs - 1-3/8" Leg

The Deluxe Structural Studs with 1-3/8" leg are lightweight, non-combustible and durable metal framing members, primarily used for interior walls and commercial construction. They offer superior stability compared to wood, offering no warping or rotting.



**NOTE:** This drawing is supplied solely to assist in the selection and application of product manufactured by Deluxe Building Products. This drawing is generic in nature and should not be used in design or construction without an independent evaluation by a qualified Architect or Engineer of Record.

©2026 Deluxe Building Products. All rights reserved worldwide. Product illustrations are for reference only.  
CA RESIDENTS: Please review Prop 65 by visiting [www.P65Warnings.ca.gov](http://www.P65Warnings.ca.gov)

REV 04.01.26.DSS2